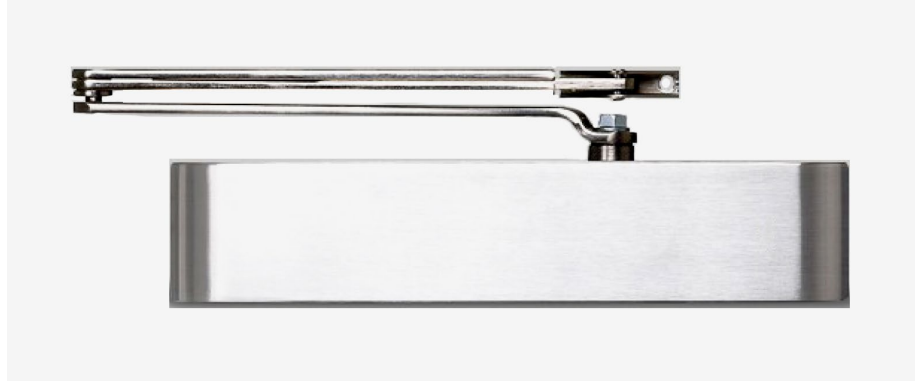


## IZERWAREN DOORCLOSER PROGRAM



#35.2390 Hydraulic door closer for medium size doors; - Force 2-6  
Finish: Satin Stainless Steel or Polished Stainless Steel



#35.083H Hydraulic door closer for fire rated full size doors; - Force 7  
Finish: Satin Stainless Steel or Polished Stainless Steel cover with STEEL arm and bracket



#35.2854 Hydraulic door closer with sliding arm - Force 2-4  
Finish: Satin Stainless Steel or Polished Stainless Steel Interior Grade, steel parts.



#35.2390 Door closer set; with adjustable arm, standard and parallel bracket



#35.2390 Door closer set; with adjustable arm, bracket and parallel bracket



#35.2390B Door closer body force 2-6



#35.283A Door closer cover



#35.283C Door closer arm; 2 pieces.



#35.273 Parallel Bracket



#35.271 Bracket

- For medium duty applications.
- with hold open feature; position adjustable
- 316 Stainless steel door closer cover, arm, bracket
- Body aluminum, coated
- Non-handed
- adjustable closing speed for force 2-6 set
- even speed control under varying temperatures
- leak-proof construction
- adjustable latch action for force 2-6 set
- adjustable angle of opening between 70-180 degrees
- Finish: Satin or Mirror polished stainless steel cover, arm, bracket

**#35.2390 Door closer set with stainless steel cover, arm, bracket**

Set: door closer body TS83, cover, arm, brackets and screws.  
Power size: EN 2/6 Force adjustable, non-handed  
Fully intelligent back-check providing a cushioning effect to prevent uncontrolled opening between 70 and 110 degrees.  
Latch action fully adjustable;

**#35.083H FIRE rated door closer set with steel arm and bracket**

Set: door closer body TS83, arm, brackets and screws.  
Power size: EN 7 NOT adjustable, non handed  
No other functions on the Fire Rated Door Closer;  
silver paint steel parts



Fire rated door closer 35.083H depicted

**#35.2390B Door closer body only**

Door closer body TS83 force 2-6 fully adjustable. aluminum

**#35.283A Cover only fitting TS83 body**

316 stainless steel. Available in satin or polished stainless steel.

**#35.283C Adjustable arm fitting TS 83 body**

316 stainless steel. Available in satin or polished stainless steel.

**#35.273 Parallel bracket with nylon bearings and screw on cap**

316 stainless steel. Available in satin or polished stainless steel.  
To fit arm #35.283C

**#35.271 Standard bracket fitting TS 83 body**

316 stainless steel. Available in satin or polished stainless steel.



### SPECIFICATIONS TS 83 SERIES DOOR CLOSER BODIES

**Easy to fix and even easier to adjust. The door closer for almost every door size and application.**

Decades of experience have gone into the development of the TS 83. The result is user comfort coupled with outstanding versatility. It can be adjusted to suit almost all types of door.

It can even be supplied with additional anti-corrosion protection for exposed applications or aggressive conditions.

Fixing couldn't be easier – and last but not least – it's engineered for excellence.

Certified to ISO 9001.

**Plus points**

**For the trade**

- Low inventory costs and reduced stocking requirement thanks to streamlined product range.
- Practical and effective solutions to meet special applications thanks to comprehensive choice of accessories.

**For the installer**

- Easy to fix.
- Can be "tailored" to the requirements of the door by simple adjustment.
- Just one model for RH (DIN-R, ISO 5) and LH (DIN-L, ISO 6) doors, and for standard and frame/lintel fixing.
- Spring strength range EN 3–6 to suit virtually every application.

**For the specifier/architect**

- Compact closer design and sturdy flat-form arm assembly.
- Wide range of standard functions supplemented by optional extras.
- Suitable for fire doors.

**For the user**

- Optimum wall and door protection thanks to "thinking" backcheck.
- Closing speed virtually unaffected by temperature fluctuations.
- Proportionately low opening resistance thanks to high mechanical efficiency.

Data and features		TS 83	
		EN 3-6	EN 7
Closing force adjustable	Size		
Standard doors <sup>1)</sup>	≤ 1400 mm	●	–
	≤ 1600 mm	–	●
External doors, outward opening <sup>1)</sup>	≤ 1400 mm	●	–
	≤ 1600 mm	–	●
For fire and smoke check doors <sup>1)</sup>	≤ 1400 mm	●	–
	≤ 1600 mm	–	●
Non-handed		●	●
Arm assembly type	Standard	●	●
	Flatform	●	●
	Slide channel	–	–
Closing force variable by means of adjustment screw		●	–
Closing speed adjustable at 2 separate valves	180° – 15°	●	–
	15° – 0°	●	–
Closing speed variable by means of valve adjustment		–	●
Adjustable latching action	by arm	●	●
Backcheck	self-regulating	●	●
	adjustable at valve	●	●
Delayed action variable at valve		○	–
Hold-open		○	○
Weight in kg		1.7	3.3
Dimensions in mm	Length	245	293
	Overall depth	46	47.5
	Height	60	60
Door closer tested to EN 1154		●	●
CE mark for construction products		●	●

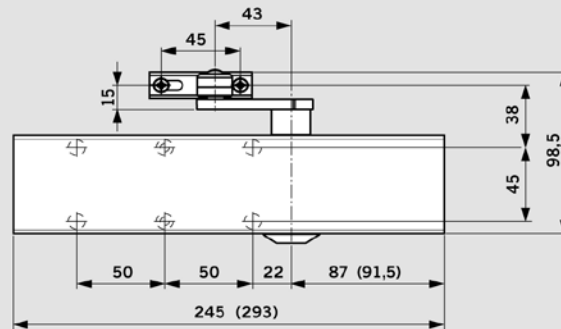
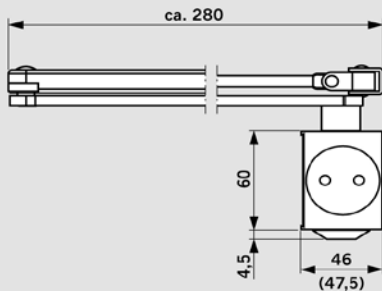
● yes – no ○ optional

<sup>1)</sup> For applications involving particularly heavy or wide doors, and doors which have to close against wind resistance, the next highest closer size or a higher spring strength should be applied.



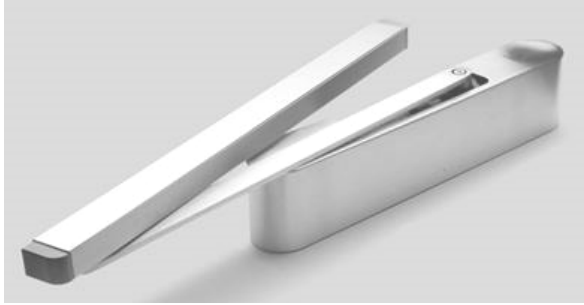
The TS 83 conforms to most recognised international standards and complies with the requirements and/or recommendations of the following:

CERTIFIRE approved for fire doors



( ) = EN 7

**SET: #35.2390 Body TS 83 with 5 functions and force 2-5 adjustable; 316 polished stainless steel cover, adjustable arm and parallel bracket.**



#35.2854 Hydraulic door closer with sliding arm - Force 2-4

- For medium duty applications.
- with hold open feature; position adjustable
- 316 Stainless steel door closer
- Cover, sliding arm 316 stainless steel
- Body aluminum, zinc chromated and enameled.
- 5 year warrantee on body
- installs left or right, inside or outside of door.
- adjustable closing speed
- even speed control under varying temperatures
- leak-proof construction
- adjustable closing force
- adjustable with or without latch action
- adjustable closing speed
- adjustable angle of opening between 70-180 degrees
- opens 180 degrees; allows door to open flush to outside wall or deck house
- Finish: Mirror polished stainless steel

**Door closer, set #35.2854**

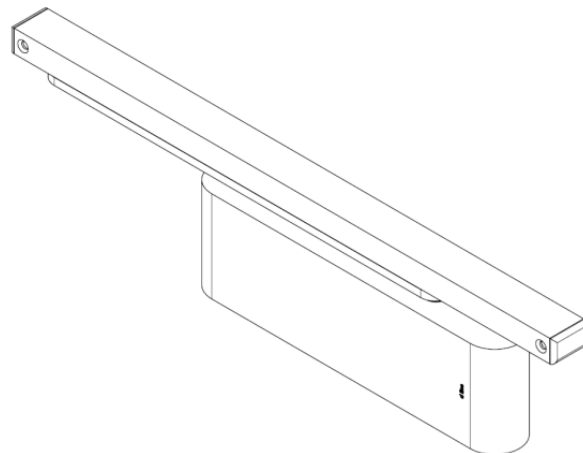
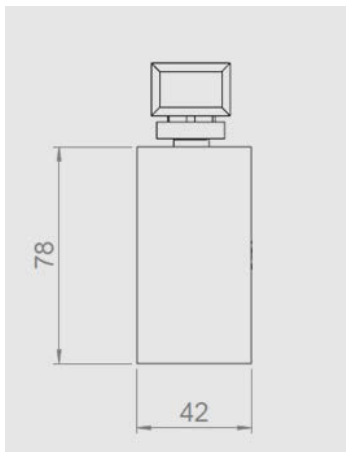
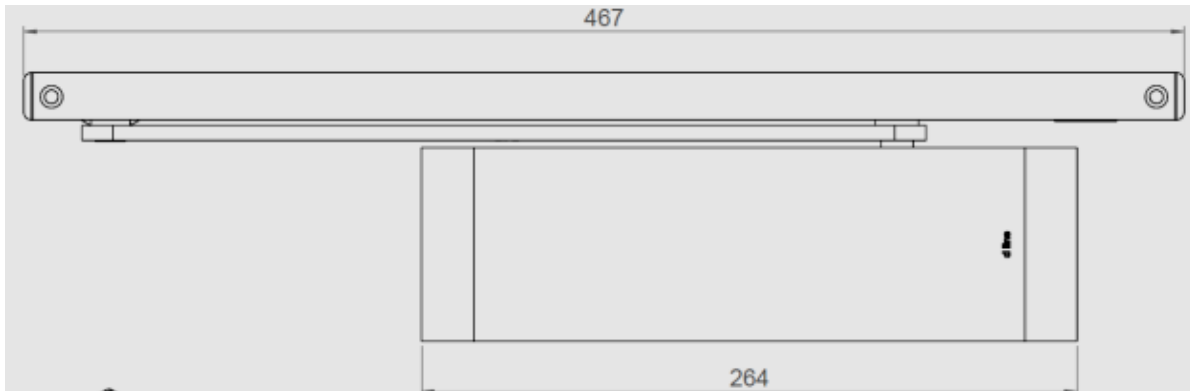
Set: door closer body, cover, sliding arm and screws.  
 3 ways adjustable for light to medium weight doors up to 88 lbs.  
 Power size: EN 2/4  
 Fully intelligent back-check providing a cushioning effect to prevent uncontrolled opening between 70 and 110 degrees.

Finish:

Satin Stainless Steel or Polished Stainless Steel  
Interior Grade, steel parts.

**Hold open feature:**

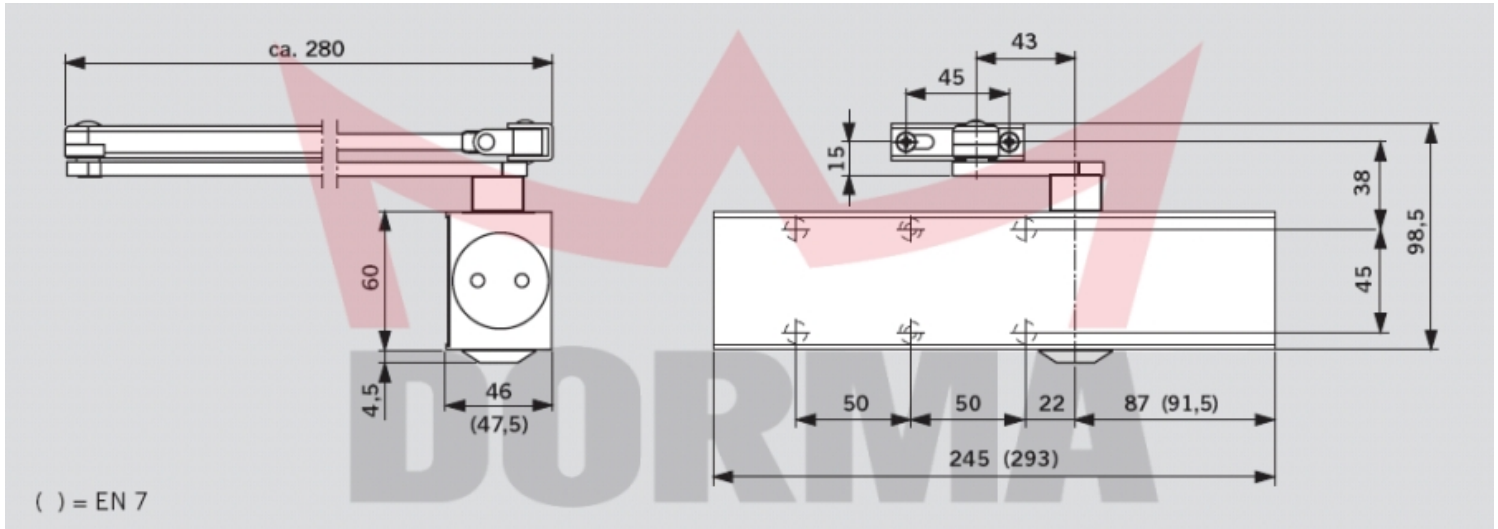
By pulling the door when in fully open position the door is arrested. By pushing the door close the hold open feature is released. By moving the hold open feature on the slide the angle can be adjusted.



Dimensions in mm.



**DOOR CLOSER FOR FIRE RATED DOORS**



**#35.083H Heavy duty body force EN-7 with steel arm and steel bracket**

Data and features		TS 83	
Variable closing force	Spring strength	EN 3-6	EN 7
Standard doors <sup>1)</sup>	≤ 1400 mm ≤ 1600 mm	• -	- •
External doors, outward opening <sup>1)</sup>	≤ 1400 mm ≤ 1600 mm	• -	- •
Fire and smoke check doors <sup>1)</sup>	≤ 1400 mm ≤ 1600 mm	• -	- •
Non-handed		•	•
Arm assembly type	Standard	•	•
	Flat-form	•	•
	Slide channel	-	-
Closing force variable by means of adjustment screw		•	-
Closing speed adjustable at 2 separate valves	180° - 15°	•	-
	15° - 0°	•	-
Closing speed variable by means of valve adjustment		-	•
Adjustable latching action	by arm	•	•
Backcheck	self-regulating	•	•
	adjustable at valve	•	•
Delayed action variable at valve		○	-
Hold-open		○	○
Weight in kg		1.7	3.3
Dimensions in mm	Length	245	293
	Overall depth	46	47.5
	Height	60	60
Door closer tested to EN 1154		•	•
CE mark for construction products		•	•

• yes - no ○ option

<sup>1)</sup> For applications involving particularly heavy or wide doors, and doors which have to close against wind resistance, the next highest closer size or a higher spring strength should be applied.



**#35.083H FOR FIRE RATED DOORS  
Heavy duty body force EN-7 with silver coated steel arm and steel bracket**